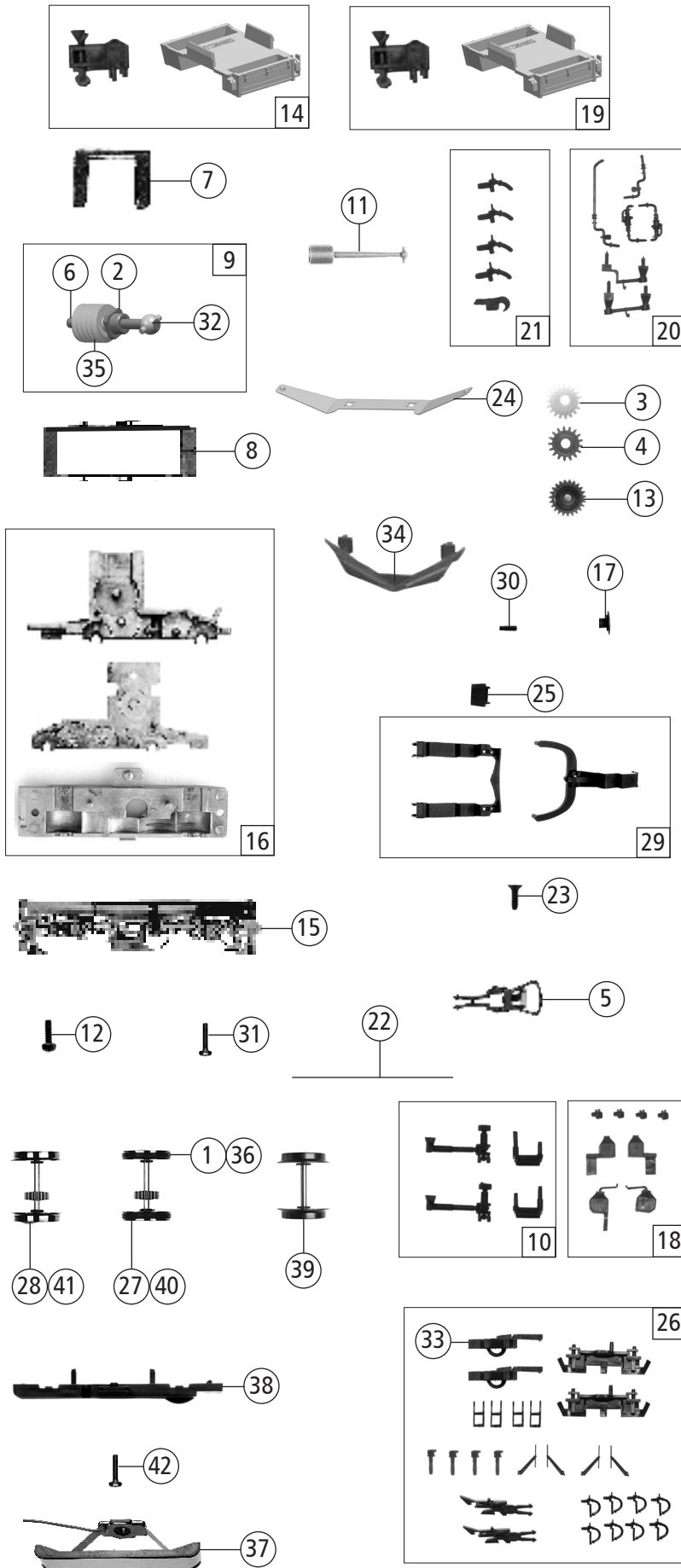


| | | | |
|----------------|-------------------|---|---|
| 7500037 | METRONOM BR 146.2 | = | |
| 7510037 | | = | 🔊 |
| 7520037 | | ~ | 🔊 |

| Pos. Nr. Pos.no. | Beschreibung Description | Art.-Nr. Art.no. | Preisgruppe Price bracket |
|---------------------|--|---------------------|------------------------------|
| 1 | Gehäuse komplett 6185 389-4 Body assembly loco no. 6185 389-4 | 151887 | 34 |
| 2 | Stromabnehmer Pantograph | 85383 | 19 |
| 3 | FK - Schraube FK - Screw | 85771 | 4 |
| 4 | Zugfeder Spring | 86202 | 3 |
| 5 | Kardanschale Cardan bearing | 87129 | 4 |
| 6 | Motordistanzplatte Spacer | 135856 | 3 |
| 7 | Brückenstecker Bridge connector | 133241 | 10 |
| 8 | Anschlag Bedstop | 123876 | 3 |
| 9 | GF - Schraube M1,6x5 GF - Screw M1,6x5 | 115269 | 3 |
| 10 | Platine komplett Printed circuit assembly | 150823 | 20 |
| 11 | Seitenfenster Front window | 148789 | 7 |
| 12 | TS - Isolatoren Part set - insulator | 131663 | 9 |
| 13 | TS - Dachleitungen Part set roof wires | 123006 | 9 |
| 14 | Dachdeckel Roof cover | 151888 | 6 |
| 15 | Motor komplett Motor assembly | 85111 | 28 |
| 16 | TS - Fenster, Lichtleiter, Part set - window light conductor, | 143993 | 8 |
| 17 | TS - Frontgriffe Part set front handrails | 126307 | 6 |
| 18 | Griffstange Handrail | 126305 | 7 |
| 19 | TS - Scheibenwischer Part set wipers | 123016 | 6 |
| 20 | Haltegriff seitlich Handrail on the side | 123017 | 5 |
| 21 | Schraube Screw | 114966 | 3 |
| 22 | Stirntritt Front step | 135857 | 6 |
| 23 | Grundrahmen Frame | 143952 | 18 |
| 24 | TS - Lichtabdeckung Part set light cover | 138256 | 6 |
| 25 | Kabelhalter Cable holder | 123030 | 4 |
| 26 | Kontaktfeder Contact spring | 116876 | 3 |
| 27 | Pufferbohle Buffer beam | 135873 | 5 |
| 28 | Führerstand Drivers cab | 143994 | 5 |
| 29 | Hupe kl. + gr Horn small + big | 138719 | 5 |
| 30 | TS - Sandkastenleitung Part set - sand box wire | 135877 | 6 |
| 31 | Dose Box | 135858 | 3 |
| 32 | TS - Lichtleiter Part set-light transmission bar | 147671 | 11 |
| 33 | LED - Platine unten Lower LED - PCB | 143604 | 15 |
| 34 | LED - Platine oben Upper LED - PCB | 143991 | 7 |
| 35 | UIC - Buchse UIC - socket | 151889 | 3 |
| 36 | TS - Antenne Part set - antenna | 131673 | 5 |
| 37 | Bürstenfeder Carbon brush spring | 114197 | 3 |
| 38 | Kohlebürste Carbon brush | 89743 | 6 |
| 39 | E-Lokführer E-Loce driver | 110407 | 6 |
| 40 | Isolator schräg Isolator inclined | 112869 | 3 |
| 41 | Isolator dick Isolator thick | 146238 | 6 |
| 42 | Isolator Isolator | 149684 | 6 |
| 43 | Antenne Antenna | 151705 | 3 |
| 44 | Platine f. Sound PCB for sound | 150826 | 18 |
| 45 | Lautsprecherbox Loudspeaker box | 141570 | 5 |
| 46 | Lautsprecher Loudspeaker | 129524 | 14 |
| 47 | Sounddecoder Sound decoder | 147377 | 39 |



| Pos. Nr. Pos.no. | Beschreibung Description | Art.-Nr. Art.no. | Preisgruppe Price bracket |
|--------------------------|--|---------------------|------------------------------|
| 7500037 | METRONOM BR 146.2 | = | |
| 7510037 | | = | 🔊 |
| 7520037 | | ~ | 🔊 |
| 1 | Hafringsatz 105tk 12,9-14,6mm Set with traction tire 10pieces | 85614 | 10 |
| 2 | Beilagscheibe Washer | 86108 | 3 |
| 3 | Schneckenzahnrad Worm gear | 86419 | 6 |
| 4 | Zahnrad Z=17/0.4 G Gear Z=17/0.4 G | 86418 | 5 |
| 5 | Standardkupplung Standard coupling | 89246 | 6 |
| 6 | Schneckenachsager Worm axle bearing | 89749 | 6 |
| 7 | Schneckendeckel Worm cover | 94707 | 4 |
| 8 | Kontaktalterrahmen Contact holder | 106765 | 6 |
| 9 | Schneckensatz mit Kardankugel Worm set with cardan | 108995 | 13 |
| 10 | TS - Blendesteckteile Part set push in part bogie | 132582 | 6 |
| 11 | Kardanwelle Cardan shaft | 108332 | 4 |
| 12 | Schraube M 1,6X5 Screw M 1,6X5 | 115269 | 3 |
| 13 | Zahnrad Z=23 Gear Z=23 | 111679 | 3 |
| 14 | Gerätekasten Machine box | 136030 | 8 |
| 15 | Drehgestell Bogie frame | 131655 | 13 |
| 16 | TS - Getriebe Part set gear | 120055 | 11 |
| 17 | Puffer Buffer | 123003 | 3 |
| 18 | TS - Sandkasten Part set Sand box | 123008 | 8 |
| 19 | TS - Batterieasten Part set Battery box | 151886 | 8 |
| 20 | TS - Ölrohre Part set Oil pipes | 123011 | 8 |
| 21 | TS-Luftschläuche+Kupplungsimitation Part set Air hoses-Coupler imitation | 123015 | 6 |
| 22 | Kupplungsfeder Coupling spring | 123024 | 3 |
| 23 | SK-Schraube M1,6x5 SK-Screw M1.6x5 | 115161 | 3 |
| 24 | Radkontakt Wheel contact | 135865 | 4 |
| 25 | Deichselendstück End of coupler arm | 135859 | 3 |
| 26 | Zurüstbeutel Bag with accessories | 143996 | 11 |
| 27 | Radsatz m. 2 Hafringen o. Zahnrad Wheel with 2 traction tires w/o gearwheel | 140063 | 12 |
| 28 | Radsatz m. Zahnrad o. Hafring Wheel with gearwheel without traction tires | 140062 | 11 |
| 29 | TS - Kupplung Part set Coupler | 123029 | 6 |
| 30 | Pufferhülse Buffer base | 124668 | 3 |
| 31 | GF-Schraube M1,6x8 mm GF-Screw M1.6x8mm | 115037 | 3 |
| 32 | Kardankugel Cardanball | 109614 | 4 |
| 33 | Kurzkupplung-Vorentkupplung Short coupling- pre-uncoupling | 115550 | 6 |
| 34 | Schieneräumer Rail guard | 143605 | 5 |
| 35 | Schnecke Wormgear | 86704 | 6 |
| AC - Wechselstrom | | | |
| 36 | Hafringsatz 105tk 12,5-15,3mm Set with traction tire 10 pieces | 85619 | 10 |
| 37 | Schleifer 42mm Slider 42mm | 86030 | 14 |
| 38 | Getriebeboden Gear bottom | 113321 | 8 |
| 39 | Radsatz o. Hafring o. Zahnrad Wheel without traction tires without gear | 135879 | 10 |
| 40 | Radsatz m. 2 Hafringen + Zahnrad Wheel with traction tires with gear | 135880 | 12 |
| 41 | Radsatz m. Zahnrad o. Hafring Wheel with gear without tractions tires | 135881 | 11 |
| 42 | GF-Schraube M1,6x8 mm GF-Screw M1.6x8mm | 115037 | 3 |